



Soler&Palau Sistemas de Ventilación SLU certifies that this series is licensed to bear the AMCA Seal for Air Performance. The revision version is EasyVent v11, May 2020. Certification may be checked at <https://www.amca.org/certify>.



Short casing  
(C version)



Long casing  
(LK version)



Long casing  
TGT 1400/1600  
(LK version)

Range of adjustable pitch aerofoil blade, cased axial flow fans. Casings formed from rolled sheet steel with a corrosion resistant hot dip galvanised finish. All models incorporate separate high grade die-cast aluminium blades locked within a pressed sheet steel hub. Suitable for horizontal or vertical airflow installation. All models are available in both short and long casing versions.

Short casing versions:

- (C) Standard.
- (CK) Includes an external terminal box for ease of connection.

Long casing versions:

- (LK) Includes an external terminal box for ease of connection, and a spy phole to check impeller rotation.
- (LP) Includes an inspection door for easy access to motor.
- (LPK) Includes both external terminal box and inspection door.

Refer to EasyVent to select the most suitable configurations for the installation, and obtain the corresponding datasheets.

#### Motors

Available, depending upon the model:

- with three phase motors in 2, 4 or 6 poles.
- with three phase two speed motors 2/4, 4/8, 4/6 or 6/12 poles.

All the motors are IP55, Class F insulation

Electrical supplies:

Three phase 220-240/380-415-50/60Hz\* up to 3 kW.

Three phase 380-415V-50Hz, for higher power motors and two speed motors.

(\*Check Easyvent for 60Hz available models.)

#### On request:

Casing in stainless steel or paint finish. Motors provided with PTC thermistor or space heaters.





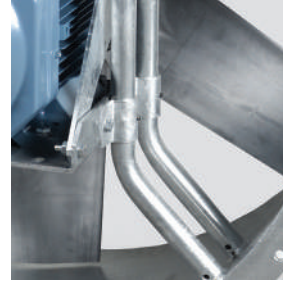
**Corrosion resistance**

Casings formed from rolled sheet steel with a corrosion resistant hot dip galvanised finish.



**Support motor**

Manufactured from sheet steel with a corrosion resistant hot dip galvanised or Magnelis® finish. (Models from 400 to 800).



**Aerodynamic motor support**

Aerodynamic design of the motor support to optimise airflow performance. (Models from 900 to 1250).



**Motor support (1400 and 1600 mm diameter):**

Welded on the fan casing. The whole assembly with a corrosion resistant hot dip galvanised finish.



**Impeller dynamically balanced**

according to ISO 1940 standard, providing vibration free operation.



**Wide blade design: higher pressure**

Blade design to ensure the highest efficient airflow performances. Configuration 1: 400 to 800/6 models. Configuration 2: 800/9 to 1600 models.



**Terminal box**

External terminal box, situated out of the airflow.

**REFERENCE**

<b>T</b>	<b>G</b>	<b>T</b>	<b>/</b>	<b>4</b>	<b>-</b>	<b>1</b>	<b>0</b>	<b>0</b>	<b>0</b>	<b>-</b>	<b>6</b>	<b>/</b>	<b>26</b>	<b>A</b>	<b>C</b>	<b>K</b>	<b>15kW</b>
1				2							4		5	6	7		8

- 1 - Product range.
- 2 - Number of poles.
- 3 - Diameter\*.
- 4 - Number of blades.
- 5 - Blade pitch angle.
- 6 - Airflow direction:  
B (Impeller - Motor Standard)  
A (Motor - Impeller)  
BD (B-Down)  
AU (A-Up)  
AB (Reversible)
- 7 - Casing configuration:  
C: Short casing. Standard.  
CK: Short casing with external terminal box for ease of connection.  
LK: Long casing with external terminal box for ease of connection, and a spy hole to check impeller rotation.  
LP: Long casing with inspection door for easy access to motor.  
LPK: Long casing with both external terminal box and inspection door.
- 8 - Motor power.

\* For the 1400 and 1600 mm diameter fans the last "0" is replaced by a number and a letter indicating the hub diameter and blade type (e.g. 1409G) This also applies to other diameters if motor frame is IEC 250 or bigger (e.g. 1257).



Short casing

Range of cylindrical cased axial flow ATEX fans, from 400 to 1250 mm diameters. Casings formed from rolled sheet steel with a corrosion resistant hot dipped galvanised finish.

All models incorporate separate high grade diecast aluminium blades locked within a pressed sheet steel hub. Suitable for horizontal or vertical airflow installation.

All models are available in both short and long (LP) casing versions.

Long casing versions include a large inspection door.

**Motors**

Available, depending upon the model:  
 - with three phase motors in 2, 4 or 6 poles.

All the motors are IP55, Class F insulation  
 Electrical supplies:

Three phase 230/400V-50Hz up to 3kW.

Three phase 400V-50Hz, for higher power motors and two speed motors. (See characteristics chart).

**ATEX TGT**

ATEX versions available for 3 phase models. For ambient working temperatures from -20°C to +40°C.

- ATEX Flameproof - Gas

In standard ATEX version flameproof motors are without thermal protection.

If used with frequency inverter, flameproof motors with a PTC-type thermal protection must be specified at order.

⊕ II 2G Ex d IIB T4

⊕ II 2G Ex d IIB+H2 T4 (with motor Ex d IIC T4)

- ATEX Increased safety - Gas

⊕ II 2G Ex e II T3

- ATEX - Dust

In standard ATEX version, ATEX motors for dust are without thermal protection.

If used with frequency inverter, ATEX motors for dust with a PTC-type thermal protection must be specified at order.

Combustable flyings and non conductive dust:

⊕ II 3D Ex tc IIIB T125°C

Conductive dust:

⊕ II 3D Ex tc IIIC T125°C

(with motor IP65)

\* TGT ATEX Flameproof models 400 and 450mm diameter only available long case LP version.

\*\* TGT ATEX Flameproof models 500 to 1250mm diameter available short case and long case version LP (not available version K, LK or LPK).

To select TGT ATEX refer to performance curves for THGT, or Easyvent. Note electrical data may vary for ATEX motors.

**Additional information**

Standard air direction: Form B configuration (impeller over motor).

**On request**

Air direction: Form A configuration (motor over impeller).



**ATEX Long casing version "LP"**

Large inspection door fitted on Long cased models for ATEX versions, that enables access to the motor terminal box for electrical connection.



**Ex motor versions**

Ex versions in accordance to ATEX Directive.

**Specific applications**



Refer to Easyvent for selection.

We reserve the right to use different motor suppliers, therefore the following data may differ.

**TECHNICAL CHARACTERISTICS - 2 poles**

Model	Diameter (mm)	Motor power	Full load current at 400V (A)	Weight (kg)	
				Short casing	Long casing
TGT/2-400-6/-1,1	400	1,1	2,32	39	45
TGT/2-400-6/-1,5	400	1,5	3,07	42	48
TGT/2-400-6/-2,2	400	2,2	4,43	46	52
TGT/2-450-6/-1,5	450	1,5	3,07	49	58
TGT/2-450-6/-2,2	450	2,2	4,43	54	62
TGT/2-450-6/-3	450	3	5,77	61	70
TGT/2-500-6/-2,2	500	2,2	4,43	54	63
TGT/2-500-6/-3	500	3	5,77	62	71
TGT/2-500-6/-4	500	4	7,5	70	79

Model	Diameter (mm)	Motor power	Full load current at 400V (A)	Weight (kg)	
				Short casing	Long casing
TGT/2-560-6/-3	560	3	5,77	69	86
TGT/2-560-6/-4	560	4	7,5	77	94
TGT/2-560-6/-5,5	560	5,5	10,1	100	117
TGT/2-560-6/-7,5	560	7,5	13,9	104	121
TGT/2-560-6/-9,2	560	9,2	16,9	125	142
TGT/2-630-6/-5,5	630	5,5	10,1	107	122
TGT/2-630-6/-7,5	630	7,5	13,9	111	126
TGT/2-630-6/-9,2	630	9,2	16,9	132	147
TGT/2-630-6/-11 L	630	11	20,9		183
TGT/2-630-6/-15 L	630	15	25,4		186
TGT/2-630-6/-18,5 L	630	18,5	33,3		199

**TECHNICAL CHARACTERISTICS - 4 poles**

Model	Diameter (mm)	Motor power	Full load current at 400V (A)	Weight (kg)	
				Short casing	Long casing
TGT/4-400-6/-0,25	400	0,25	0,74	32	38
TGT/4-450-6/-0,25	450	0,25	0,74	39	48
TGT/4-450-6/-0,37	450	0,37	1,13	41	49
TGT/4-450-6/-0,55	450	0,55	1,38	44	52
TGT/4-500-6/-0,55	500	0,55	1,38	44	53
TGT/4-500-6/-0,75	500	0,75	1,62	46	55
TGT/4-500-6/-1,1	500	1,1	2,3	51	60
TGT/4-560-6/-0,55	560	0,55	1,38	51	68
TGT/4-560-6/-0,75	560	0,75	1,62	53	70
TGT/4-560-6/-1,1	560	1,1	2,3	58	75
TGT/4-560-6/-1,5	560	1,5	3,15	61	78
TGT/4-560-6/-2,2	560	2,2	4,56	68	85
TGT/4-630-6/-0,75	630	0,75	1,62	60	75
TGT/4-630-6/-1,1	630	1,1	2,3	65	80
TGT/4-630-6/-1,5	630	1,5	3,15	68	83
TGT/4-630-6/-2,2	630	2,2	4,56	75	90
TGT/4-630-6/-3	630	3	6,15	81	96
TGT/4-710-3/-0,75	710	0,75	1,62	55	79
TGT/4-710-3/-1,1	710	1,1	2,3	60	84
TGT/4-710-3/-1,5	710	1,5	3,15	63	87
TGT/4-710-3/-2,2	710	2,2	4,56	70	94
TGT/4-710-3/-3	710	3	6,15	76	100

Model	Diameter (mm)	Motor power	Full load current at 400V (A)	Weight (kg)	
				Short casing	Long casing
TGT/4-710-6/-1,1	710	1,1	2,3	64	87
TGT/4-710-6/-1,5	710	1,5	3,15	67	90
TGT/4-710-6/-2,2	710	2,2	4,56	74	97
TGT/4-710-6/-3	710	3	6,15	80	103
TGT/4-710-6/-4	710	4	8,2	81	104
TGT/4-800-3/-1,1	800	1,1	2,3	77	94
TGT/4-800-3/-1,5	800	1,5	3,15	80	97
TGT/4-800-3/-2,2	800	2,2	4,56	87	104
TGT/4-800-3/-3	800	3	6,15	93	110
TGT/4-800-3/-4	800	4	8,2	94	111
TGT/4-800-3/-5,5	800	5,5	10,3	123	140
TGT/4-800-6/-1,5	800	1,5	3,15	83	100
TGT/4-800-6/-2,2	800	2,2	4,56	90	107
TGT/4-800-6/-3	800	3	6,15	96	113
TGT/4-800-6/-4	800	4	8,2	97	114
TGT/4-800-6/-5,5	800	5,5	10,3	126	143
TGT/4-800-6/-7,5	800	7,5	13,9	133	150
TGT/4-800-9/-4	800	4	8,2	101	118
TGT/4-800-9/-5,5	800	5,5	10,3	130	147
TGT/4-800-9/-7,5	800	7,5	13,9	137	154

TECHNICAL CHARACTERISTICS - 4 poles (CONTINUATION)

Model	Diameter (mm)	Motor power	Full load current at 400V (A)	Weight (kg)	
				Short casing	Long casing
TGT/4-900-3/-2,2	900	2,2	4,56	102	120
TGT/4-900-3/-3	900	3	6,15	108	126
TGT/4-900-3/-4	900	4	8,2	109	127
TGT/4-900-3/-5,5	900	5,5	10,3	138	156
TGT/4-900-3/-7,5	900	7,5	13,9	145	163
TGT/4-900-6/-4	900	4	8,2	113	132
TGT/4-900-6/-5,5	900	5,5	10,3	142	161
TGT/4-900-6/-7,5	900	7,5	13,9	149	168
TGT/4-900-6/-11	900	11	20,7	202	221
TGT/4-900-6/-15	900	15	28,4	224	243
TGT/4-900-9/-5,5	900	5,5	10,3	146	165
TGT/4-900-9/-7,5	900	7,5	13,9	153	172
TGT/4-900-9/-11	900	11	20,7	206	225
TGT/4-900-9/-15	900	15	28,4	228	247
TGT/4-1000-3/-3	1000	3	6,15	115	136
TGT/4-1000-3/-4	1000	4	8,2	116	137
TGT/4-1000-3/-5,5	1000	5,5	10,3	145	166
TGT/4-1000-3/-7,5	1000	7,5	13,9	152	173
TGT/4-1000-3/-11	1000	11	20,7	205	226
TGT/4-1000-6/-4	1000	4	8,2	121	142
TGT/4-1000-6/-5,5	1000	5,5	10,3	150	171
TGT/4-1000-6/-7,5	1000	7,5	13,9	157	178
TGT/4-1000-6/-11	1000	11	20,7	210	231
TGT/4-1000-6/-15	1000	15	28,4	232	253
TGT/4-1000-6/-18,5	1000	18,5	34,9	264	285
TGT/4-1000-6/-22	1000	22	40,9	285	306
TGT/4-1000-9/-5,5	1000	5,5	10,3	155	176
TGT/4-1000-9/-7,5	1000	7,5	13,9	162	183
TGT/4-1000-9/-11	1000	11	20,7	215	236
TGT/4-1000-9/-15	1000	15	28,4	237	258
TGT/4-1000-9/-18,5	1000	18,5	34,9	269	290
TGT/4-1000-9/-22	1000	22	40,9	290	311
TGT/4-1120-3/-4	1120	4	8,2	132	164
TGT/4-1120-3/-5,5	1120	5,5	10,3	161	193
TGT/4-1120-3/-7,5	1120	7,5	13,9	168	200
TGT/4-1120-3/-11	1120	11	20,7	221	253
TGT/4-1120-3/-15	1120	15	28,4	243	275
TGT/4-1120-3/-18,5	1120	18,5	34,9	275	307

Model	Diameter (mm)	Motor power	Full load current at 400V (A)	Weight (kg)	
				Short casing	Long casing
TGT/4-1120-6/-11	1120	11	20,7	226	258
TGT/4-1120-6/-15	1120	15	28,4	248	280
TGT/4-1120-6/-18,5	1120	18,5	34,9	280	312
TGT/4-1120-6/-22	1120	22	40,9	301	333
TGT/4-1120-6/-30	1120	30	54,6	349	381
TGT/4-1120-9/-11	1120	11	20,7	232	263
TGT/4-1120-9/-15	1120	15	28,4	254	285
TGT/4-1120-9/-18,5	1120	18,5	34,9	286	317
TGT/4-1120-9/-22	1120	22	40,9	307	338
TGT/4-1120-9/-30	1120	30	54,6	355	386
TGT/4-1120-9/-37	1120	37	65,6	501	532
TGT/4-1120-9/-45	1120	45	79,4	529	560
TGT/4-1250-3/-7,5	1250	7,5	13,9	184	226
TGT/4-1250-3/-11	1250	11	20,7	237	279
TGT/4-1250-3/-15	1250	15	28,4	259	301
TGT/4-1250-3/-18,5	1250	18,5	34,9	291	333
TGT/4-1250-3/-22	1250	22	40,9	312	354
TGT/4-1250-3/-30	1250	30	54,6	360	402
TGT/4-1250-6/-15	1250	15	28,4	265	307
TGT/4-1250-6/-18,5	1250	18,5	34,9	297	339
TGT/4-1250-6/-22	1250	22	40,9	318	360
TGT/4-1250-6/-30	1250	30	54,6	366	408
TGT/4-1250-6/-37	1250	37	65,6	512	554
TGT/4-1250-6/-45	1250	45	79,4	540	582
TGT/4-1250-9/-15	1250	15	28,4	271	313
TGT/4-1250-9/-18,5	1250	18,5	34,9	303	345
TGT/4-1250-9/-22	1250	22	40,9	324	366
TGT/4-1250-9/-30	1250	30	54,6	372	414
TGT/4-1250-9/-37	1250	37	65,6	518	560
TGT/4-1250-9/-45	1250	45	79,4	546	588
TGT/4-1250-12/-18,5	1250	18,5	34,9	309	351
TGT/4-1250-12/-22	1250	22	40,9	330	372
TGT/4-1250-12/-30	1250	30	54,6	378	420
TGT/4-1250-12/-37	1250	37	65,6	524	566
TGT/4-1250-12/-45	1250	45	79,4	552	594
TGT/4-1257-12/-55	1250	55	96,9	639	681
TGT/4-1257-12/-75	1250	75	130	861	903

TECHNICAL CHARACTERISTICS - 4 poles (CONTINUATION)

Model	Diameter (mm)	Motor power	Full load current at 400V (A)	Weight (kg)	
				Short casing	Long casing
TGT/4-1409-3/-18,5	1409	18,5	34,9	449	603
TGT/4-1409-3/-22	1409	22	40,9	470	624
TGT/4-1409-3/-30	1409	30	54,6	518	672
TGT/4-1409-3/-37	1409	37	65,6	664	818
TGT/4-1409-3/-45	1409	45	79,4	692	846
TGT/4-1409-3/-55	1409	55	96,9	788	942
TGT/4-1409-3/-75	1409	75	130	1012	1166

TGT/4-1409-6/-30	1409	30	54,6	531	685
TGT/4-1409-6/-37	1409	37	65,6	677	831
TGT/4-1409-6/-45	1409	45	79,4	705	859
TGT/4-1409-6/-55	1409	55	96,9	801	955
TGT/4-1409-6/-75	1409	75	130	1025	1179
TGT/4-1409-6/-90	1409	90	158	1073	1227
TGT/4-1409-6/-110	1409	110	192	1311	1465

TGT/4-1409-9/-55	1409	55	96,9	814	968
TGT/4-1409-9/-75	1409	75	130	1038	1192
TGT/4-1409-9/-90	1409	90	158	1086	1240
TGT/4-1409-9/-110	1409	110	192	1324	1478
TGT/4-1409-9/-132	1409	132	230	1267	1421
TGT/4-1409-9/-160	1409	160	275	1466	1620

TGT/4-1409-12/-75	1409	75	130	1051	1205
TGT/4-1409-12/-90	1409	90	158	1099	1253
TGT/4-1409-12/-110	1409	110	192	1337	1491
TGT/4-1409-12/-132	1409	132	230	1280	1434
TGT/4-1409-12/-160	1409	160	275	1479	1633

Model	Diameter (mm)	Motor power	Full load current at 400V (A)	Weight (kg)	
				Short casing	Long casing
TGT/4-1609-3/-37	1609	37	65,6	717	917
TGT/4-1609-3/-45	1609	45	79,4	745	945
TGT/4-1609-3/-55	1609	55	96,9	850	1050
TGT/4-1609-3/-75	1609	75	130	1074	1274
TGT/4-1609-3/-90	1609	90	158	1122	1322
TGT/4-1609-3/-110	1609	110	192	1360	1560
TGT/4-1609-3/-132	1609	132	230	1303	1503

TGT/4-1609-6/-55	1609	55	96,9	864	1064
TGT/4-1609-6/-75	1609	75	130	1088	1288
TGT/4-1609-6/-90	1609	90	158	1136	1336
TGT/4-1609-6/-110	1609	110	192	1374	1574
TGT/4-1609-6/-132	1609	132	230	1317	1517
TGT/4-1609-6/-160	1609	160	275	1516	1716
TGT/4-1609-6/-185	1609	185	318	1586	1786
TGT/4-1609-6/-200	1609	200	343	1696	1896

TGT/4-1609-9/-75	1609	75	130	1102	1302
TGT/4-1609-9/-90	1609	90	158	1150	1350
TGT/4-1609-9/-110	1609	110	192	1388	1588
TGT/4-1609-9/-132	1609	132	230	1331	1531
TGT/4-1609-9/-160	1609	160	275	1530	1730
TGT/4-1609-9/-185	1609	185	318	1600	1800
TGT/4-1609-9/-200	1609	200	343	1710	1910

TGT/4-1609-12/-90	1609	90	158	1165	1365
TGT/4-1609-12/-110	1609	110	192	1403	1603
TGT/4-1609-12/-132	1609	132	230	1346	1546
TGT/4-1609-12/-160	1609	160	275	1545	1745
TGT/4-1609-12/-185	1609	185	318	1615	1815
TGT/4-1609-12/-200	1609	200	343	1725	1925

TECHNICAL CHARACTERISTICS - 6 poles

Model	Diameter (mm)	Motor power	Full load current at 400V (A)	Weight (kg)	
				Short casing	Long casing
TGT/6-560-6/-0,37	560	0,37	1,04	50	67
TGT/6-560-6/-0,55	560	0,55	1,61	57	74

TGT/6-630-6/-0,37	630	0,37	1,04	57	72
TGT/6-630-6/-0,55	630	0,55	1,61	64	79
TGT/6-630-6/-0,75	630	0,75	1,93	70	85
TGT/6-630-6/-1,1	630	1,1	2,69	72	87

Model	Diameter (mm)	Motor power	Full load current at 400V (A)	Weight (kg)	
				Short casing	Long casing
TGT/6-710-3/- 0,55	710	0,55	1,5	59	83
TGT/6-710-3/- 0,75	710	0,75	2,0	65	89

TGT/6-710-6/- 0,55	710	0,55	1,5	63	86
TGT/6-710-6/- 0,75	710	0,75	2,0	69	92
TGT/6-710-6/- 1,1	710	1,1	2,8	71	94

TECHNICAL CHARACTERISTICS - 6 poles (CONTINUATION)

Model	Diameter (mm)	Motor power	Full load current at 400V (A)	Weight (kg)	
				Short casing	Long casing
TGT/6-800-3/-0,55	800	0,55	1,61	76	93
TGT/6-800-3/-0,75	800	0,75	1,93	82	99
TGT/6-800-3/-1,1	800	1,1	2,69	84	101
TGT/6-800-6/-0,55	800	0,55	1,61	79	96
TGT/6-800-6/-0,75	800	0,75	1,93	85	102
TGT/6-800-6/-1,1	800	1,1	2,69	87	104
TGT/6-800-6/-1,5	800	1,5	3,7	91	108
TGT/6-800-6/-2,2	800	2,2	5,22	99	116
TGT/6-800-9/-1,1	800	1,1	2,69	91	108
TGT/6-800-9/-1,5	800	1,5	3,7	95	112
TGT/6-800-9/-2,2	800	2,2	5,22	103	120
TGT/6-800-9/-3	800	3	6,91	126	143
TGT/6-900-3/-1,5	900	1,5	3,7	103	121
TGT/6-900-3/-2,2	900	2,2	5,22	111	129
TGT/6-900-6/-1,5	900	1,5	3,7	107	126
TGT/6-900-6/-2,2	900	2,2	5,22	115	134
TGT/6-900-6/-3	900	3	6,91	138	157
TGT/6-900-9/-1,5	900	1,5	3,7	111	130
TGT/6-900-9/-2,2	900	2,2	5,22	119	138
TGT/6-900-9/-3	900	3	6,91	142	161
TGT/6-1000-3/-1,5	1000	1,5	3,7	110	131
TGT/6-1000-3/-2,2	1000	2,2	5,22	118	139
TGT/6-1000-3/-3	1000	3	6,91	141	162
TGT/6-1000-3/-4	1000	4	8,1	142	163
TGT/6-1000-6/-1,5	1000	1,5	3,7	115	136
TGT/6-1000-6/-2,2	1000	2,2	5,22	123	144
TGT/6-1000-6/-3	1000	3	6,91	146	167
TGT/6-1000-6/-4	1000	4	8,1	147	168
TGT/6-1000-6/-5,5	1000	5,5	12,5	167	188
TGT/6-1000-6/-7,5	1000	7,5	14,7	209	230
TGT/6-1000-9/-2,2	1000	2,2	5,22	128	149
TGT/6-1000-9/-3	1000	3	6,91	151	172
TGT/6-1000-9/-4	1000	4	8,1	152	173
TGT/6-1000-9/-5,5	1000	5,5	12,5	172	193
TGT/6-1000-9/-7,5	1000	7,5	14,7	214	235

Model	Diameter (mm)	Motor power	Full load current at 400V (A)	Weight (kg)	
				Short casing	Long casing
TGT/6-1120-3/-1,5	1120	1,5	3,7	126	158
TGT/6-1120-3/-2,2	1120	2,2	5,22	134	166
TGT/6-1120-3/-3	1120	3	6,91	157	189
TGT/6-1120-3/-4	1120	4	8,1	158	190
TGT/6-1120-3/-5,5	1120	5,5	12,5	178	210
TGT/6-1120-6/-3	1120	3	6,91	162	194
TGT/6-1120-6/-4	1120	4	8,1	163	195
TGT/6-1120-6/-5,5	1120	5,5	12,5	183	215
TGT/6-1120-6/-7,5	1120	7,5	14,7	225	257
TGT/6-1120-6/-11	1120	11	21,5	246	278
TGT/6-1120-9/-3	1120	3	6,91	168	199
TGT/6-1120-9/-4	1120	4	8,1	169	200
TGT/6-1120-9/-5,5	1120	5,5	12,5	189	220
TGT/6-1120-9/-7,5	1120	7,5	14,7	231	262
TGT/6-1120-9/-11	1120	11	21,5	252	283
TGT/6-1120-9/-15	1120	15	30,4	284	315
TGT/6-1250-3/-2,2	1250	2,2	5,22	150	192
TGT/6-1250-3/-3	1250	3	6,91	173	215
TGT/6-1250-3/-4	1250	4	8,1	174	216
TGT/6-1250-3/-5,5	1250	5,5	12,5	194	236
TGT/6-1250-3/-7,5	1250	7,5	14,7	236	278
TGT/6-1250-3/-11	1250	11	21,5	257	299
TGT/6-1250-6/-4	1250	4	8,1	180	222
TGT/6-1250-6/-5,5	1250	5,5	12,5	200	242
TGT/6-1250-6/-7,5	1250	7,5	14,7	242	284
TGT/6-1250-6/-11	1250	11	21,5	263	305
TGT/6-1250-6/-15	1250	15	30,4	295	337
TGT/6-1250-9/-5,5	1250	5,5	12,5	206	248
TGT/6-1250-9/-7,5	1250	7,5	14,7	248	290
TGT/6-1250-9/-11	1250	11	21,5	269	311
TGT/6-1250-9/-15	1250	15	30,4	301	343
TGT/6-1250-9/-18,5	1250	18,5	37,3	344	386
TGT/6-1250-9/-22	1250	22	43	371	413
TGT/6-1409-3/-7,5	1409	7,5	14,7	394	548
TGT/6-1409-3/-11	1409	11	21,5	415	569
TGT/6-1409-3/-15	1409	15	30,4	447	601
TGT/6-1409-3/-18,5	1409	18,5	37,3	490	644

TECHNICAL CHARACTERISTICS - 6 poles (CONTINUATION)

Model	Diameter (mm)	Motor power	Full load current at 400V (A)	Weight (kg)	
				Short casing	Long casing
TGT/6-1409-6/-11	1409	11	21,5	428	582
TGT/6-1409-6/-15	1409	15	30,4	460	614
TGT/6-1409-6/-18,5	1409	18,5	37,3	503	657
TGT/6-1409-6/-22	1409	22	43	530	684
TGT/6-1409-6/-30	1409	30	54,2	686	840
TGT/6-1409-6/-37	1409	37	66,6	780	934

TGT/6-1409-9/-15	1409	15	30,4	473	627
TGT/6-1409-9/-18,5	1409	18,5	37,3	516	670
TGT/6-1409-9/-22	1409	22	43	543	697
TGT/6-1409-9/-30	1409	30	54,2	699	853
TGT/6-1409-9/-37	1409	37	66,6	793	947
TGT/6-1409-9/-45	1409	45	83,4	987	1141

TGT/6-1409-12/-18,5	1409	18,5	37,3	529	683
TGT/6-1409-12/-22	1409	22	43	556	710
TGT/6-1409-12/-30	1409	30	54,2	712	866
TGT/6-1409-12/-37	1409	37	66,6	806	960
TGT/6-1409-12/-45	1409	45	83,4	1000	1154
TGT/6-1409-12/-55	1409	55	102	1045	1199

TGT/6-1609-3/-11	1609	11	21,5	468	668
TGT/6-1609-3/-15	1609	15	30,4	500	700
TGT/6-1609-3/-18,5	1609	18,5	37,3	543	743
TGT/6-1609-3/-22	1609	22	43	570	770
TGT/6-1609-3/-30	1609	30	54,2	726	926
TGT/6-1609-3/-37	1609	37	66,6	829	1029

Model	Diameter (mm)	Motor power	Full load current at 400V (A)	Weight (kg)	
				Short casing	Long casing
TGT/6-1609-6/-18,5	1609	18,5	37,3	557	757
TGT/6-1609-6/-22	1609	22	43	584	784
TGT/6-1609-6/-30	1609	30	54,2	740	940
TGT/6-1609-6/-37	1609	37	66,6	843	1043
TGT/6-1609-6/-45	1609	45	83,4	1037	1237
TGT/6-1609-6/-55	1609	55	102	1082	1282
TGT/6-1609-6/-75	1609	75	136	1326	1526

TGT/6-1609-9/-22	1609	22	43	598	798
TGT/6-1609-9/-30	1609	30	54,2	754	954
TGT/6-1609-9/-37	1609	37	66,6	857	1057
TGT/6-1609-9/-45	1609	45	83,4	1051	1251
TGT/6-1609-9/-55	1609	55	102	1096	1296
TGT/6-1609-9/-75	1609	75	136	1340	1540
TGT/6-1609-9/-90	1609	90	163	1426	1626

TGT/6-1609-12/-30	1609	30	54,2	769	969
TGT/6-1609-12/-37	1609	37	66,6	872	1072
TGT/6-1609-12/-45	1609	45	83,4	1066	1266
TGT/6-1609-12/-55	1609	55	102	1111	1311
TGT/6-1609-12/-75	1609	75	136	1355	1555
TGT/6-1609-12/-90	1609	90	163	1441	1641
TGT/6-1609-12/-110	1609	110	199	1499	1699

TECHNICAL CHARACTERISTICS - 2/4 poles

Model	Diameter (mm)	Motor power		Full load current 400V (A)		Weight (kg)	
		HS	LS	HS	LS	Short casing	Long casing

TGT/2/4-400-6/-1,1/0,25	400	1,1	0,25	2,5	0,66	37	43
TGT/2/4-400-6/-1,5/0,35	400	1,5	0,35	3,8	0,9	40,1	46,1
TGT/2/4-400-6/-2,2/0,6	400	2,2	0,6	4,8	1,5	41,3	47,3

TGT/2/4-450-6/-1,1/0,25	450	1,1	0,25	2,5	0,66	44,4	44,4
TGT/2/4-450-6/-1,5/0,35	450	1,5	0,35	3,8	0,9	47,5	47,5
TGT/2/4-450-6/-2,2/0,6	450	2,2	0,6	4,8	1,5	48,7	48,7
TGT/2/4-450-6/-3/0,8	450	3	0,8	6,6	1,7	58	58

Model	Diameter (mm)	Motor power		Full load current 400V (A)		Weight (kg)	
		HS	LS	HS	LS	Short casing	Long casing

TGT/2/4-500-6/-1,5/0,35	500	1,5	0,35	3,8	0,9	48	48
TGT/2/4-500-6/-2,2/0,6	500	2,2	0,6	4,8	1,5	49,2	49,2
TGT/2/4-500-6/-3/0,8	500	3	0,8	6,6	1,7	58,5	58,5
TGT/2/4-500-6/-4,5/1,3	500	4,5	1,3	9,9	3,1	71	71



**TECHNICAL CHARACTERISTICS - 2/4 poles (CONTINUATION)**

Model	Diameter (mm)	Motor power		Full load current 400V (A)		Weight (kg)	
		HS	LS	HS	LS	Short casing	Long casing
TGT/2/4-500-6/-1,5/0,35	500	1,5	0,35	3,8	0,9	48	48
TGT/2/4-500-6/-2,2/0,6	500	2,2	0,6	4,8	1,5	49,2	49,2
TGT/2/4-500-6/-3/0,8	500	3	0,8	6,6	1,7	58,5	58,5
TGT/2/4-500-6/-4,5/1,3	500	4,5	1,3	9,9	3,1	71	71
TGT/2/4-560-6/-3/0,8	560	3	0,8	6,6	1,7	65,5	82,5
TGT/2/4-560-6/-4,5/1,3	560	4,5	1,3	9,9	3,1	78	95
TGT/2/4-560-6/-6/1,6	560	6	1,6	13,2	3,7	91	108
TGT/2/4-560-6/-8,3/1,7	560	8,3	1,7	15,4	4,2	97	114
TGT/2/4-560-6/-9/2,5	560	9	2,5	18,6	5,6	101	118

Model	Diameter (mm)	Motor power		Full load current 400V (A)		Weight (kg)	
		HS	LS	HS	LS	Short casing	Long casing
TGT/2/4-630-6/-4,5/1,3	630	4,5	1,3	9,9	3,1	85	100
TGT/2/4-630-6/-6/1,6	630	6	1,6	13,2	3,7	98	113
TGT/2/4-630-6/-8,3/1,7	630	8,3	1,7	15,4	4,2	104	119
TGT/2/4-630-6/-9/2,5	630	9	2,5	18,6	5,6	108	123
TGT/2/4-630-6/-10/2 L	630	10	2	19	4,8		136
TGT/2/4-630-6/-16/3,2 L	630	16	3,2	28,5	7		155
TGT/2/4-630-6/-19/4,5 L	630	19	4,5	34,9	8,6		160

**TECHNICAL CHARACTERISTICS - 4/8 poles**

Model	Diameter (mm)	Motor power		Full load current 400V (A)		Weight (kg)	
		HS	LS	HS	LS	Short casing	Long casing
TGT/4/8-400-6/-0,37/0,09	400	0,37	0,09	1,1	1,2	32,6	38,6
TGT/4/8-450-6/-0,37/0,09	450	0,37	0,09	1,1	1,2	40	40
TGT/4/8-450-6/-0,55/0,13	450	0,55	0,13	1,8	0,65	42,5	42,5
TGT/4/8-500-6/-0,55/0,13	500	0,55	0,13	1,8	0,65	43	43
TGT/4/8-500-6/-0,75/0,12	500	0,75	0,12	2,3	0,9	44,9	44,9
TGT/4/8-500-6/-1,1/0,26	500	1,1	0,26	2,8	1,2	47	47
TGT/4/8-560-6/-0,37/0,09	560	0,37	0,09	1,1	1,2	47,5	64,5
TGT/4/8-560-6/-0,55/0,13	560	0,55	0,13	1,8	0,65	50	67
TGT/4/8-560-6/-0,75/0,12	560	0,75	0,12	2,3	0,9	51,9	68,9
TGT/4/8-560-6/-1,1/0,26	560	1,1	0,26	2,8	1,2	54	71
TGT/4/8-560-6/-1,7/0,35	560	1,7	0,35	4	1,6	57	74
TGT/4/8-560-6/-2,3/0,5	560	2,3	0,5	5,2	1,9	61	78
TGT/4/8-630-6/-0,55/0,13	630	0,55	0,13	1,8	0,65	57	72
TGT/4/8-630-6/-0,75/0,12	630	0,75	0,12	2,3	0,9	58,9	73,9
TGT/4/8-630-6/-1,1/0,26	630	1,1	0,26	2,8	1,2	61	76
TGT/4/8-630-6/-1,7/0,35	630	1,7	0,35	4	1,6	64	79
TGT/4/8-630-6/-2,3/0,5	630	2,3	0,5	5,2	1,9	68	83
TGT/4/8-630-6/-3/0,65	630	3	0,65	6,8	2,5	74	89
TGT/4/8-710-3/-0,55/0,13	710	0,55	0,13	1,8	0,65	52	76
TGT/4/8-710-3/-0,75/0,12	710	0,75	0,12	2,3	0,9	53,9	77,9
TGT/4/8-710-3/-1,1/0,26	710	1,1	0,26	2,8	1,2	56	80
TGT/4/8-710-3/-1,7/0,35	710	1,7	0,35	4	1,6	59	83
TGT/4/8-710-3/-2,3/0,5	710	2,3	0,5	5,2	1,9	63	87
TGT/4/8-710-3/-3/0,65	710	3	0,65	6,8	2,5	69	93

Model	Diameter (mm)	Motor power		Full load current 400V (A)		Weight (kg)	
		HS	LS	HS	LS	Short casing	Long casing
TGT/4/8-710-6/-1,1/0,26	710	1,1	0,26	2,8	1,2	60	83
TGT/4/8-710-6/-1,7/0,35	710	1,7	0,35	4	1,6	63	86
TGT/4/8-710-6/-2,3/0,5	710	2,3	0,5	5,2	1,9	67	90
TGT/4/8-710-6/-3/0,65	710	3	0,65	6,8	2,5	73	96
TGT/4/8-710-6/-4/0,75	710	4	0,75	8,7	3,5	84	107
TGT/4/8-710-6/-5/1	710	5	1	9,9	3,3	95	118
TGT/4/8-800-3/-1,1/0,26	800	1,1	0,26	2,8	1,2	73	90
TGT/4/8-800-3/-1,7/0,35	800	1,7	0,35	4	1,6	76	93
TGT/4/8-800-3/-2,3/0,5	800	2,3	0,5	5,2	1,9	80	97
TGT/4/8-800-3/-3/0,65	800	3	0,65	6,8	2,5	86	103
TGT/4/8-800-3/-4/0,75	800	4	0,75	8,7	3,5	97	114
TGT/4/8-800-3/-5/1	800	5	1	9,9	3,3	108	125
TGT/4/8-800-3/-6,8/1,4	800	6,8	1,4	13,7	5,1	119	136
TGT/4/8-800-6/-1,7/0,35	800	1,7	0,35	4	1,6	79	96
TGT/4/8-800-6/-2,3/0,5	800	2,3	0,5	5,2	1,9	83	100
TGT/4/8-800-6/-3/0,65	800	3	0,65	6,8	2,5	89	106
TGT/4/8-800-6/-4/0,75	800	4	0,75	8,7	3,5	100	117
TGT/4/8-800-6/-5/1	800	5	1	9,9	3,3	111	128
TGT/4/8-800-6/-6,8/1,4	800	6,8	1,4	13,7	5,1	122	139
TGT/4/8-800-6/-8,4/2,05	800	8,4	2,05	16,6	6,2	138	155
TGT/4/8-800-9/-3/0,65	800	3	0,65	6,8	2,5	93	110
TGT/4/8-800-9/-4/0,75	800	4	0,75	8,7	3,5	104	121
TGT/4/8-800-9/-5/1	800	5	1	9,9	3,3	115	132
TGT/4/8-800-9/-6,8/1,4	800	6,8	1,4	13,7	5,1	126	143
TGT/4/8-800-9/-8,4/2,05	800	8,4	2,05	16,6	6,2	142	159

TECHNICAL CHARACTERISTICS - 4/8 poles (CONTINUATION)

Model	Diameter (mm)	Motor power		Full load current 400V (A)		Weight (kg)	
		HS	LS	HS	LS	Short casing	Long casing

TGT/4/8-900-3/-2,3/0,5	900	2,3	0,5	5,2	1,9	95	113
TGT/4/8-900-3/-3/0,65	900	3	0,65	6,8	2,5	101	119
TGT/4/8-900-3/-4/0,75	900	4	0,75	8,7	3,5	112	130
TGT/4/8-900-3/-5/1	900	5	1	9,9	3,3	123	141
TGT/4/8-900-3/-6,8/1,4	900	6,8	1,4	13,7	5,1	134	152
TGT/4/8-900-3/-8,4/2,05	900	8,4	2,05	16,6	6,2	150	168

TGT/4/8-900-6/-3/0,65	900	3	0,65	6,8	2,5	105	124
TGT/4/8-900-6/-4/0,75	900	4	0,75	8,7	3,5	116	135
TGT/4/8-900-6/-5/1	900	5	1	9,9	3,3	127	146
TGT/4/8-900-6/-6,8/1,4	900	6,8	1,4	13,7	5,1	138	157
TGT/4/8-900-6/-8,4/2,05	900	8,4	2,05	16,6	6,2	154	173
TGT/4/8-900-6/-10,5/2,2	900	10,5	2,2	21	7,4	173	192
TGT/4/8-900-6/-15,5/2,7	900	15,5	2,7	30	9,5	196	215

TGT/4/8-900-9/-4/0,75	900	4	0,75	8,7	3,5	120	139
TGT/4/8-900-9/-5/1	900	5	1	9,9	3,3	131	150
TGT/4/8-900-9/-6,8/1,4	900	6,8	1,4	13,7	5,1	142	161
TGT/4/8-900-9/-8,4/2,05	900	8,4	2,05	16,6	6,2	158	177
TGT/4/8-900-9/-10,5/2,2	900	10,5	2,2	21	7,4	177	196
TGT/4/8-900-9/-15,5/2,7	900	15,5	2,7	30	9,5	200	219

TGT/4/8-1000-3/-2,3/0,5	1000	2,3	0,5	5,2	1,9	102	123
TGT/4/8-1000-3/-3/0,65	1000	3	0,65	6,8	2,5	108	129
TGT/4/8-1000-3/-4/0,75	1000	4	0,75	8,7	3,5	119	140
TGT/4/8-1000-3/-5/1	1000	5	1	9,9	3,3	130	151
TGT/4/8-1000-3/-6,8/1,4	1000	6,8	1,4	13,7	5,1	141	162
TGT/4/8-1000-3/-8,4/2,05	1000	8,4	2,05	16,6	6,2	157	178
TGT/4/8-1000-3/-10,5/2,2	1000	10,5	2,2	21	7,4	176	197
TGT/4/8-1000-3/-15,5/2,7	1000	15,5	2,7	30	9,5	199	220

TGT/4/8-1000-6/-4/0,75	1000	4	0,75	8,7	3,5	124	145
TGT/4/8-1000-6/-5/1	1000	5	1	9,9	3,3	135	156
TGT/4/8-1000-6/-6,8/1,4	1000	6,8	1,4	13,7	5,1	146	167
TGT/4/8-1000-6/-8,4/2,05	1000	8,4	2,05	16,6	6,2	162	183
TGT/4/8-1000-6/-10,5/2,2	1000	10,5	2,2	21	7,4	181	202
TGT/4/8-1000-6/-15,5/2,7	1000	15,5	2,7	30	9,5	204	225
TGT/4/8-1000-6/-17/3,4	1000	17	3,4	33	11	224	245
TGT/4/8-1000-6/-22/4,4	1000	22	4,4	43	15	248	269

TGT/4/8-1000-9/-6,8/1,4	1000	6,8	1,4	13,7	5,1	151	172
TGT/4/8-1000-9/-8,4/2,05	1000	8,4	2,05	16,6	6,2	167	188
TGT/4/8-1000-9/-10,5/2,2	1000	10,5	2,2	21	7,4	186	207
TGT/4/8-1000-9/-15,5/2,7	1000	15,5	2,7	30	9,5	209	230
TGT/4/8-1000-9/-17/3,4	1000	17	3,4	33	11	229	250
TGT/4/8-1000-9/-22/4,4	1000	22	4,4	43	15	253	274

Model	Diameter (mm)	Motor power		Full load current 400V (A)		Weight (kg)	
		HS	LS	HS	LS	Short casing	Long casing

TGT/4/8-1120-3/-4/0,75	1120	4	0,75	8,7	3,5	135	167
TGT/4/8-1120-3/-5/1	1120	5	1	9,9	3,3	146	178
TGT/4/8-1120-3/-6,8/1,4	1120	6,8	1,4	13,7	5,1	157	189
TGT/4/8-1120-3/-8,4/2,05	1120	8,4	2,05	16,6	6,2	173	205
TGT/4/8-1120-3/-10,5/2,2	1120	10,5	2,2	21	7,4	192	224
TGT/4/8-1120-3/-15,5/2,7	1120	15,5	2,7	30	9,5	215	247
TGT/4/8-1120-3/-17/3,4	1120	17	3,4	33	11	235	267
TGT/4/8-1120-3/-22/4,4	1120	22	4,4	43	15	259	291

TGT/4/8-1120-6/-8,4/2,05	1120	8,4	2,05	16,6	6,2	178	210
TGT/4/8-1120-6/-10,5/2,2	1120	10,5	2,2	21	7,4	197	229
TGT/4/8-1120-6/-15,5/2,7	1120	15,5	2,7	30	9,5	220	252
TGT/4/8-1120-6/-17/3,4	1120	17	3,4	33	11	240	272
TGT/4/8-1120-6/-22/4,4	1120	22	4,4	43	15	264	296
TGT/4/8-1120-6/-33/8	1120	33	8	61	21	308	340

TGT/4/8-1120-9/-10,5/2,2	1120	10,5	2,2	21	7,4	203	234
TGT/4/8-1120-9/-15,5/2,7	1120	15,5	2,7	30	9,5	226	257
TGT/4/8-1120-9/-17/3,4	1120	17	3,4	33	11	246	277
TGT/4/8-1120-9/-22/4,4	1120	22	4,4	43	15	270	301
TGT/4/8-1120-9/-33/8	1120	33	8	61	21	314	345
TGT/4/8-1120-9/-42/10	1120	42	10	85	27	374	405

TGT/4/8-1250-3/-5/1	1250	5	1	9,9	3,3	162	204
TGT/4/8-1250-3/-6,8/1,4	1250	6,8	1,4	13,7	5,1	173	215
TGT/4/8-1250-3/-8,4/2,05	1250	8,4	2,05	16,6	6,2	189	231
TGT/4/8-1250-3/-10,5/2,2	1250	10,5	2,2	21	7,4	208	250
TGT/4/8-1250-3/-15,5/2,7	1250	15,5	2,7	30	9,5	231	273
TGT/4/8-1250-3/-17/3,4	1250	17	3,4	33	11	251	293
TGT/4/8-1250-3/-22/4,4	1250	22	4,4	43	15	275	317
TGT/4/8-1250-3/-33/8	1250	33	8	61	21	319	361

TGT/4/8-1250-6/-10,5/2,2	1250	10,5	2,2	21	7,4	214	256
TGT/4/8-1250-6/-15,5/2,7	1250	15,5	2,7	30	9,5	237	279
TGT/4/8-1250-6/-17/3,4	1250	17	3,4	33	11	257	299
TGT/4/8-1250-6/-17/4,3	1250	17	4,3	33,4	12,7	282	324
TGT/4/8-1250-6/-22/4,4	1250	22	4,4	43	15	281	323
TGT/4/8-1250-6/-33/8	1250	33	8	61	21	325	367
TGT/4/8-1250-6/-42/10	1250	42	10	85	27	385	427

TGT/4/8-1250-9/-15,5/2,7	1250	15,5	2,7	30	9,5	243	285
TGT/4/8-1250-9/-17/3,4	1250	17	3,4	33	11	263	305
TGT/4/8-1250-9/-17/4,3	1250	17	4,3	33,4	12,7	288	330
TGT/4/8-1250-9/-22/4,4	1250	22	4,4	43	15	287	329
TGT/4/8-1250-9/-33/8	1250	33	8	61	21	331	373
TGT/4/8-1250-9/-42/10	1250	42	10	85	27	391	433
TGT/4/8-1250-9/-50/11	1250	50	11	91	28	391	433

**TECHNICAL CHARACTERISTICS - 4/8 poles (CONTINUATION)**

Model	Diameter (mm)	Motor power		Full load current 400V (A)		Weight (kg)	
		HS	LS	HS	LS	Short casing	Long casing

TGT/4/8-1250-12/-22/4,4	1250	22	4,4	43	15	293	335
TGT/4/8-1250-12/-33/8	1250	33	8	61	21	337	379
TGT/4/8-1250-12/-42/10	1250	42	10	85	27	397	439
TGT/4/8-1250-12/-50/11	1250	50	11	91	28	397	439
TGT/4/8-1257-12/-55/14,7	1250	55	14,7	100	36,5	582	624
TGT/4/8-1257-12/-68/17	1250	68	17	127	44	782	824
TGT/4/8-1257-12/-80/20	1250	80	20	149	51,5	822	864

TGT/4/8-1409-3/-15,5/2,7	1400	15,5	2,7	30	9,5	389	543
TGT/4/8-1409-3/-17/3,4	1400	17	3,4	33	11	409	563
TGT/4/8-1409-3/-22/4,4	1400	22	4,4	43	15	433	587
TGT/4/8-1409-3/-33/8	1400	33	8	61	21	477	631
TGT/4/8-1409-3/-42/10	1400	42	10	85	27	537	691
TGT/4/8-1409-3/-50/11	1400	50	11	91	28	537	691

TGT/4/8-1409-6/-33/8	1400	33	8	61	21	490	644
TGT/4/8-1409-6/-42/10	1400	42	10	85	27	550	704
TGT/4/8-1409-6/-50/11	1400	50	11	91	28	550	704
TGT/4/8-1409-6/-55/14,7	1400	55	14,7	100	36,5	744	898
TGT/4/8-1409-6/-68/17	1400	68	17	127	44	946	1100
TGT/4/8-1409-6/-80/20	1400	80	20	149	51,5	986	1140
TGT/4/8-1409-6/-110/27	1400	110	27	196	65,3	1051	1205

TGT/4/8-1409-9/-42/10	1400	42	10	85	27	563	717
TGT/4/8-1409-9/-50/11	1400	50	11	91	28	563	717
TGT/4/8-1409-9/-55/14,7	1400	55	14,7	100	36,5	757	911
TGT/4/8-1409-9/-68/17	1400	68	17	127	44	959	1113
TGT/4/8-1409-9/-80/20	1400	80	20	149	51,5	999	1153
TGT/4/8-1409-9/-110/27	1400	110	27	196	65,3	1064	1218
TGT/4/8-1409-9/-130/33	1400	130	33	225	76,1	1094	1248

Model	Diameter (mm)	Motor power		Full load current 400V (A)		Weight (kg)	
		HS	LS	HS	LS	Short casing	Long casing

TGT/4/8-1409-12/-50/11	1400	50	11	91	28	576	730
TGT/4/8-1409-12/-55/14,7	1400	55	14,7	100	36,5	770	924
TGT/4/8-1409-12/-68/17	1400	68	17	127	44	972	1126
TGT/4/8-1409-12/-80/20	1400	80	20	149	51,5	1012	1166
TGT/4/8-1409-12/-110/27	1400	110	27	196	65,3	1077	1231
TGT/4/8-1409-12/-130/33	1400	130	33	225	76,1	1107	1261
TGT/4/8-1409-12/-160/40	1400	160	40	292	107	1227	1381

TGT/4/8-1609-3/-33/8	1600	33	8	61	21	530	730
TGT/4/8-1609-3/-42/10	1600	42	10	85	27	590	790
TGT/4/8-1609-3/-50/11	1600	50	11	91	28	590	790
TGT/4/8-1609-3/-55/14,7	1600	55	14,7	100	36,5	793	993
TGT/4/8-1609-3/-68/17	1600	68	17	127	44	995	1195
TGT/4/8-1609-3/-80/20	1600	80	20	149	51,5	1035	1235
TGT/4/8-1609-3/-110/27	1600	110	27	196	65,3	1100	1300

TGT/4/8-1609-6/-55/14,7	1600	55	14,7	100	36,5	807	1007
TGT/4/8-1609-6/-68/17	1600	68	17	127	44	1009	1209
TGT/4/8-1609-6/-80/20	1600	80	20	149	51,5	1049	1249
TGT/4/8-1609-6/-110/27	1600	110	27	196	65,3	1114	1314
TGT/4/8-1609-6/-130/33	1600	130	33	225	76,1	1144	1344
TGT/4/8-1609-6/-160/40	1600	160	40	292	107	1264	1464

TGT/4/8-1609-9/-80/20	1600	80	20	149	51,5	1063	1263
TGT/4/8-1609-9/-110/27	1600	110	27	196	65,3	1128	1328
TGT/4/8-1609-9/-130/33	1600	130	33	225	76,1	1158	1358
TGT/4/8-1609-9/-160/40	1600	160	40	292	107	1278	1478

TGT/4/8-1609-12/-80/20	1600	80	20	149	51,5	1078	1278
TGT/4/8-1609-12/-110/27	1600	110	27	196	65,3	1143	1343
TGT/4/8-1609-12/-130/33	1600	130	33	225	76,1	1173	1373
TGT/4/8-1609-12/-160/40	1600	160	40	292	107	1293	1493

**TECHNICAL CHARACTERISTICS - 4/6 poles**

Model	Diameter (mm)	Motor power		Full load current 400V (A)		Weight (kg)	
		HS	LS	HS	LS	Short casing	Long casing

TGT/4/6-450-6/-0,5/0,19	450	0,5	0,19	1,4	0,7	42,5	42,5
TGT/4/6-450-6/-0,66/0,25	450	0,66	0,25	1,75	0,8	43,5	43,5

TGT/4/6-500-6/-0,5/0,19	500	0,5	0,19	1,4	0,7	43	43
TGT/4/6-500-6/-0,66/0,25	500	0,66	0,25	1,75	0,8	44	44
TGT/4/6-500-6/-1/0,3	500	1	0,3	2,5	1,2	47	47

Model	Diameter (mm)	Motor power		Full load current 400V (A)		Weight (kg)	
		HS	LS	HS	LS	Short casing	Long casing

TGT/4/6-560-6/-0,5/0,19	560	0,5	0,19	1,4	0,7	50	67
TGT/4/6-560-6/-0,66/0,25	560	0,66	0,25	1,75	0,8	51	68
TGT/4/6-560-6/-0,78/0,3	560	0,78	0,3	2	1	51	68
TGT/4/6-560-6/-1,5/0,45	560	1,5	0,45	3,5	1,6	57	74
TGT/4/6-560-6/-1/0,3	560	1	0,3	2,5	1,2	54	71
TGT/4/6-560-6/-2,5/0,8	560	2,5	0,8	5,5	2,5	64	81

TECHNICAL CHARACTERISTICS - 4/6 poles (CONTINUATION)

Model	Diameter (mm)	Motor power		Full load current 400V (A)		Weight (kg)	
		HS	LS	HS	LS	Short casing	Long casing

TGT/4/6-630-6/-0,66/0,25	630	0,66	0,25	1,75	0,8	58	73
TGT/4/6-630-6/-0,78/0,3	630	0,78	0,3	2	1	58	73
TGT/4/6-630-6/-1,5/0,45	630	1,5	0,45	3,5	1,6	64	79
TGT/4/6-630-6/-1/0,3	630	1	0,3	2,5	1,2	61	76
TGT/4/6-630-6/-2,5/0,8	630	2,5	0,8	5,5	2,5	71	86
TGT/4/6-630-6/-3/1	630	3	1	6,85	3,86	94	109

TGT/4/6-710-3/-0,66/0,25	710	0,66	0,25	1,75	0,8	53	77
TGT/4/6-710-3/-0,78/0,3	710	0,78	0,3	2	1	53	77
TGT/4/6-710-3/-1,5/0,45	710	1,5	0,45	3,5	1,6	59	83
TGT/4/6-710-3/-1/0,3	710	1	0,3	2,5	1,2	56	80
TGT/4/6-710-3/-2,5/0,8	710	2,5	0,8	5,5	2,5	66	90

TGT/4/6-710-6/-0,78/0,3	710	0,78	0,3	2	1	57	80
TGT/4/6-710-6/-1,5/0,45	710	1,5	0,45	3,5	1,6	63	86
TGT/4/6-710-6/-1/0,3	710	1	0,3	2,5	1,2	60	83
TGT/4/6-710-6/-2,5/0,8	710	2,5	0,8	5,5	2,5	70	93
TGT/4/6-710-6/-3/1	710	3	1	6,85	3,86	93	116
TGT/4/6-710-6/-4,5/1,5	710	4,5	1,5	9,2	5,1	95	118

TGT/4/6-800-3/-1,5/0,45	800	1,5	0,45	3,5	1,6	76	93
TGT/4/6-800-3/-1/0,3	800	1	0,3	2,5	1,2	73	90
TGT/4/6-800-3/-2,5/0,8	800	2,5	0,8	5,5	2,5	83	100
TGT/4/6-800-3/-3/1	800	3	1	6,85	3,86	106	123
TGT/4/6-800-3/-4,5/1,5	800	4,5	1,5	9,2	5,1	108	125
TGT/4/6-800-3/-6/2	800	6	2	12	5,6	119	136

TGT/4/6-800-6/-1,5/0,45	800	1,5	0,45	3,5	1,6	79	96
TGT/4/6-800-6/-2,5/0,8	800	2,5	0,8	5,5	2,5	86	103
TGT/4/6-800-6/-3/1	800	3	1	6,85	3,86	109	126
TGT/4/6-800-6/-4,5/1,5	800	4,5	1,5	9,2	5,1	111	128
TGT/4/6-800-6/-6/2	800	6	2	12	5,6	122	139

TGT/4/6-800-9/-4,5/1,5	800	4,5	1,5	9,2	5,1	115	132
TGT/4/6-800-9/-6/2	800	6	2	12	5,6	126	143

TGT/4/6-900-3/-2,5/0,8	900	2,5	0,8	5,5	2,5	98	116
TGT/4/6-900-3/-3/1	900	3	1	6,85	3,86	121	139
TGT/4/6-900-3/-4,5/1,5	900	4,5	1,5	9,2	5,1	123	141
TGT/4/6-900-3/-6/2	900	6	2	12	5,6	134	152
TGT/4/6-900-3/-10,5/3,5	900	10,5	3,5	21	8,6	168	186

Model	Diameter (mm)	Motor power		Full load current 400V (A)		Weight (kg)	
		HS	LS	HS	LS	Short casing	Long casing

TGT/4/6-900-6/-3/1	900	3	1	6,85	3,86	125	144
TGT/4/6-900-6/-4,5/1,5	900	4,5	1,5	9,2	5,1	127	146
TGT/4/6-900-6/-6/2	900	6	2	12	5,6	138	157
TGT/4/6-900-6/-10,5/3,5	900	10,5	3,5	21	8,6	172	191
TGT/4/6-900-6/-14/4,5	900	14	4,5	28	11	196	215

TGT/4/6-900-9/-4,5/1,5	900	4,5	1,5	9,2	5,1	131	150
TGT/4/6-900-9/-6/2	900	6	2	12	5,6	142	161
TGT/4/6-900-9/-10,5/3,5	900	10,5	3,5	21	8,6	176	195
TGT/4/6-900-9/-14/4,5	900	14	4,5	28	11	200	219
TGT/4/6-900-9/-16/5	900	16	5	31	12,5	214	233

TGT/4/6-1000-3/-2,5/0,8	1000	2,5	0,8	5,5	2,5	105	126
TGT/4/6-1000-3/-3/1	1000	3	1	6,85	3,86	128	149
TGT/4/6-1000-3/-4,5/1,5	1000	4,5	1,5	9,2	5,1	130	151
TGT/4/6-1000-3/-6/2	1000	6	2	12	5,6	141	162
TGT/4/6-1000-3/-10,5/3,5	1000	10,5	3,5	21	8,6	175	196
TGT/4/6-1000-3/-14/4,5	1000	14	4,5	28	11	199	220

TGT/4/6-1000-6/-4,5/1,5	1000	4,5	1,5	9,2	5,1	135	156
TGT/4/6-1000-6/-6/2	1000	6	2	12	5,6	146	167
TGT/4/6-1000-6/-10,5/3,5	1000	10,5	3,5	21	8,6	180	201
TGT/4/6-1000-6/-14/4,5	1000	14	4,5	28	11	204	225
TGT/4/6-1000-6/-16/5	1000	16	5	31	12,5	218	239
TGT/4/6-1000-6/-20/6,5	1000	20	6,5	39	16	246	267

TGT/4/6-1000-9/-6/2	1000	6	2	12	5,6	151	172
TGT/4/6-1000-9/-10,5/3,5	1000	10,5	3,5	21	8,6	185	206
TGT/4/6-1000-9/-14/4,5	1000	14	4,5	28	11	209	230
TGT/4/6-1000-9/-16/5	1000	16	5	31	12,5	223	244
TGT/4/6-1000-9/-20/6,5	1000	20	6,5	39	16	251	272

TGT/4/6-1120-3/-4,5/1,5	1120	4,5	1,5	9,2	5,1	146	178
TGT/4/6-1120-3/-6/2	1120	6	2	12	5,6	157	189
TGT/4/6-1120-3/-10,5/3,5	1120	10,5	3,5	21	8,6	191	223
TGT/4/6-1120-3/-14/4,5	1120	14	4,5	28	11	215	247
TGT/4/6-1120-3/-16/5	1120	16	5	31	12,5	229	261
TGT/4/6-1120-3/-20/6,5	1120	20	6,5	39	16	257	289

TGT/4/6-1120-6/-10,5/3,5	1120	10,5	3,5	21	8,6	196	228
TGT/4/6-1120-6/-14/4,5	1120	14	4,5	28	11	220	252
TGT/4/6-1120-6/-16/5	1120	16	5	31	12,5	234	266
TGT/4/6-1120-6/-20/6,5	1120	20	6,5	39	16	262	294
TGT/4/6-1120-6/-23/7,2	1120	23	7,2	43	15	278	310
TGT/4/6-1120-6/-30/9	1120	30	9	54	18,2	303	335

TECHNICAL CHARACTERISTICS - 4/6 poles (CONTINUATION)

Model	Diameter (mm)	Motor power		Full load current 400V (A)		Weight (kg)	
		HS	LS	HS	LS	Short casing	Long casing

TGT/4/6-1120-9/-10,5/3,5	1120	10,5	3,5	21	8,6	202	233
TGT/4/6-1120-9/-14/4,5	1120	14	4,5	28	11	226	257
TGT/4/6-1120-9/-16/5	1120	16	5	31	12,5	240	271
TGT/4/6-1120-9/-20/6,5	1120	20	6,5	39	16	268	299
TGT/4/6-1120-9/-23/7,2	1120	23	7,2	43	15	284	315
TGT/4/6-1120-9/-30/9	1120	30	9	54	18,2	309	340
TGT/4/6-1120-9/-34/11	1120	34	11	60	21	334	365
TGT/4/6-1120-9/-42/14	1120	42	14	75	27	364	395

TGT/4/6-1250-3/-6/2	1250	6	2	12	5,6	173	215
TGT/4/6-1250-3/-10,5/3,5	1250	10,5	3,5	21	8,6	207	249
TGT/4/6-1250-3/-14/4,5	1250	14	4,5	28	11	231	273
TGT/4/6-1250-3/-16/5	1250	16	5	31	12,5	245	287
TGT/4/6-1250-3/-20/6,5	1250	20	6,5	39	16	273	315
TGT/4/6-1250-3/-23/7,2	1250	23	7,2	43	15	289	331
TGT/4/6-1250-3/-30/9	1250	30	9	54	18,2	314	356

TGT/4/6-1250-6/-10,5/3,5	1250	10,5	3,5	21	8,6	213	255
TGT/4/6-1250-6/-14/4,5	1250	14	4,5	28	11	237	279
TGT/4/6-1250-6/-16/5	1250	16	5	31	12,5	251	293
TGT/4/6-1250-6/-20/6,5	1250	20	6,5	39	16	279	321
TGT/4/6-1250-6/-23/7,2	1250	23	7,2	43	15	295	337
TGT/4/6-1250-6/-30/9	1250	30	9	54	18,2	320	362
TGT/4/6-1250-6/-34/11	1250	34	11	60	21	345	387
TGT/4/6-1250-6/-42/14	1250	42	14	75	27	375	417

TGT/4/6-1250-9/-14/4,5	1250	14	4,5	28	11	243	285
TGT/4/6-1250-9/-16/5	1250	16	5	31	12,5	257	299
TGT/4/6-1250-9/-20/6,5	1250	20	6,5	39	16	285	327
TGT/4/6-1250-9/-23/7,2	1250	23	7,2	43	15	301	343
TGT/4/6-1250-9/-30/9	1250	30	9	54	18,2	326	368
TGT/4/6-1250-9/-34/11	1250	34	11	60	21	351	393
TGT/4/6-1250-9/-42/14	1250	42	14	75	27	381	423

TGT/4/6-1250-12/-20/6,5	1250	20	6,5	39	16	291	333
TGT/4/6-1250-12/-23/7,2	1250	23	7,2	43	15	307	349
TGT/4/6-1250-12/-30/9	1250	30	9	54	18,2	332	374
TGT/4/6-1250-12/-34/11	1250	34	11	60	21	357	399
TGT/4/6-1250-12/-42/14	1250	42	14	75	27	387	429
TGT/4/6-1250-12/-50/18	1250	50	18	90,2	40	624	666
TGT/4/6-1257-12/-70/25	1250	70	25	128	58,8	617	659
TGT/4/6-1257-12/-80/28	1250	80	28	147	63,8	880	922

Model	Diameter (mm)	Motor power		Full load current 400V (A)		Weight (kg)	
		HS	LS	HS	LS	Short casing	Long casing

TGT/4/6-1409-3/-16/5	1400	16	5	31	12,5	403	557
TGT/4/6-1409-3/-20/6,5	1400	20	6,5	39	16	431	585
TGT/4/6-1409-3/-23/7,2	1400	23	7,2	43	15	447	601
TGT/4/6-1409-3/-30/9	1400	30	9	54	18,2	472	626
TGT/4/6-1409-3/-34/11	1400	34	11	60	21	497	651
TGT/4/6-1409-3/-42/14	1400	42	14	75	27	527	681
TGT/4/6-1409-3/-50/18	1400	50	18	90,2	40	773	927

TGT/4/6-1409-6/-30/9	1400	30	9	54	18,2	485	639
TGT/4/6-1409-6/-34/11	1400	34	11	60	21	510	664
TGT/4/6-1409-6/-42/14	1400	42	14	75	27	540	694
TGT/4/6-1409-6/-50/18	1400	50	18	90,2	40	786	940
TGT/4/6-1409-6/-70/25	1400	70	25	128	58,8	781	935
TGT/4/6-1409-6/-80/28	1400	80	28	147	63,8	1044	1198
TGT/4/6-1409-6/-95/34	1400	95	34	167	79	1253	1407
TGT/4/6-1409-6/-115/40	1400	115	40	221	90,6	1306	1460

TGT/4/6-1409-9/-42/14	1400	42	14	75	27	553	707
TGT/4/6-1409-9/-50/18	1400	50	18	90,2	40	799	953
TGT/4/6-1409-9/-70/25	1400	70	25	128	58,8	794	948
TGT/4/6-1409-9/-80/28	1400	80	28	147	63,8	1057	1211
TGT/4/6-1409-9/-95/34	1400	95	34	167	79	1266	1420
TGT/4/6-1409-9/-115/40	1400	115	40	221	90,6	1319	1473
TGT/4/6-1409-9/-125/45	1400	125	45	230	92,2	1339	1493

TGT/4/6-1409-12/-50/18	1400	50	18	90,2	40	812	966
TGT/4/6-1409-12/-70/25	1400	70	25	128	58,8	807	961
TGT/4/6-1409-12/-80/28	1400	80	28	147	63,8	1070	1224
TGT/4/6-1409-12/-95/34	1400	95	34	167	79	1279	1433
TGT/4/6-1409-12/-115/40	1400	115	40	221	90,6	1332	1486
TGT/4/6-1409-12/-125/45	1400	125	45	230	92,2	1352	1506
TGT/4/6-1409-12/-145/55	1400	145	55	264	116	1332	1486

TGT/4/6-1609-3/-30/9	1600	30	9	54	18,2	525	725
TGT/4/6-1609-3/-34/11	1600	34	11	60	21	550	750
TGT/4/6-1609-3/-42/14	1600	42	14	75	27	580	780
TGT/4/6-1609-3/-50/18	1600	50	18	90,2	40	835	1035
TGT/4/6-1609-3/-70/25	1600	70	25	128	58,8	830	1030
TGT/4/6-1609-3/-80/28	1600	80	28	147	63,8	1093	1293
TGT/4/6-1609-3/-95/34	1600	95	34	167	79	1302	1502
TGT/4/6-1609-3/-115/40	1600	115	40	221	90,6	1355	1555

TECHNICAL CHARACTERISTICS - 4/6 poles (CONTINUATION)

Model	Diameter (mm)	Motor power		Full load current 400V (A)		Weight (kg)	
		HS	LS	HS	LS	Short casing	Long casing
TGT/4/6-1609-6/-70/25	1600	70	25	128	58,8	844	1044
TGT/4/6-1609-6/-80/28	1600	80	28	147	63,8	1107	1307
TGT/4/6-1609-6/-95/34	1600	95	34	167	79	1316	1516
TGT/4/6-1609-6/-115/40	1600	115	40	221	90,6	1369	1569
TGT/4/6-1609-6/-125/45	1600	125	45	230	92,2	1389	1589
TGT/4/6-1609-6/-145/55	1600	145	55	264	116	1369	1569

TGT/4/6-1609-9/-80/28	1600	80	28	147	63,8	1121	1321
TGT/4/6-1609-9/-95/34	1600	95	34	167	79	1330	1530
TGT/4/6-1609-9/-115/40	1600	115	40	221	90,6	1383	1583
TGT/4/6-1609-9/-125/45	1600	125	45	230	92,2	1403	1603
TGT/4/6-1609-9/-145/55	1600	145	55	264	116	1383	1583

Model	Diameter (mm)	Motor power		Full load current 400V (A)		Weight (kg)	
		HS	LS	HS	LS	Short casing	Long casing
TGT/4/6-1609-12/-80/28	1600	80	28	147	63,8	1136	1336
TGT/4/6-1609-12/-95/34	1600	95	34	167	79	1345	1545
TGT/4/6-1609-12/-115/40	1600	115	40	221	90,6	1398	1598
TGT/4/6-1609-12/-125/45	1600	125	45	230	92,2	1418	1618
TGT/4/6-1609-12/-145/55	1600	145	55	264	116	1398	1598

TECHNICAL CHARACTERISTICS - 6/12 poles

Model	Diameter (mm)	Motor power		Full load current 400V (A)		Weight (kg)	
		HS	LS	HS	LS	Short casing	Long casing
TGT/6/12-560-6/-0,4/0,08	560	0,4	0,08	1,2	0,7	50	67
TGT/6/12-560-6/-0,75/0,12	560	0,75	0,12	2,4	0,9	57	74
TGT/6/12-630-6/-0,4/0,08	630	0,4	0,08	1,2	0,7	57	72
TGT/6/12-630-6/-0,75/0,12	630	0,75	0,12	2,4	0,9	64	79
TGT/6/12-710-3/-0,4/0,08	710	0,4	0,08	1,2	0,7	52	76
TGT/6/12-710-3/-0,75/0,12	710	0,75	0,12	2,4	0,9	59	83
TGT/6/12-710-6/-0,4/0,08	710	0,4	0,08	1,2	0,7	56	79
TGT/6/12-710-6/-0,75/0,12	710	0,75	0,12	2,4	0,9	63	86
TGT/6/12-710-6/-1,1/0,18	710	1,1	0,18	3,2	1,2	64	87
TGT/6/12-800-3/-0,4/0,08	800	0,4	0,08	1,2	0,7	69	86
TGT/6/12-800-3/-0,75/0,12	800	0,75	0,12	2,4	0,9	76	93
TGT/6/12-800-3/-1,1/0,18	800	1,1	0,18	3,2	1,2	77	94
TGT/6/12-800-6/-0,75/0,12	800	0,75	0,12	2,4	0,9	79	96
TGT/6/12-800-6/-1,1/0,18	800	1,1	0,18	3,2	1,2	80	97
TGT/6/12-800-6/-1,5/0,25	800	1,5	0,25	4	1,5	88	105
TGT/6/12-800-6/-2,2/0,37	800	2,2	0,37	5,6	2,1	100	117
TGT/6/12-800-6/-3/0,55	800	3	0,55	8	3,8	118	135
TGT/6/12-800-9/-1,5/0,25	800	1,5	0,25	4	1,5	92	109
TGT/6/12-800-9/-2,2/0,37	800	2,2	0,37	5,6	2,1	104	121
TGT/6/12-800-9/-3/0,55	800	3	0,55	8	3,8	122	139

Model	Diameter (mm)	Motor power		Full load current 400V (A)		Weight (kg)	
		HS	LS	HS	LS	Short casing	Long casing
TGT/6/12-900-3/-1,5/0,25	900	1,5	0,25	4	1,5	100	118
TGT/6/12-900-3/-2,2/0,37	900	2,2	0,37	5,6	2,1	112	130
TGT/6/12-900-6/-1,5/0,25	900	1,5	0,25	4	1,5	104	123
TGT/6/12-900-6/-2,2/0,37	900	2,2	0,37	5,6	2,1	116	135
TGT/6/12-900-6/-3/0,55	900	3	0,55	8	3,8	134	153
TGT/6/12-900-9/-1,5/0,25	900	1,5	0,25	4	1,5	108	127
TGT/6/12-900-9/-2,2/0,37	900	2,2	0,37	5,6	2,1	120	139
TGT/6/12-900-9/-3/0,55	900	3	0,55	8	3,8	138	157
TGT/6/12-1000-3/-1,5/0,25	1000	1,5	0,25	4	1,5	107	128
TGT/6/12-1000-3/-2,2/0,37	1000	2,2	0,37	5,6	2,1	119	140
TGT/6/12-1000-3/-3/0,55	1000	3	0,55	8	3,8	137	158
TGT/6/12-1000-3/-4/0,65	1000	4	0,65	10,4	3,1	142	163
TGT/6/12-1000-6/-1,5/0,25	1000	1,5	0,25	4	1,5	112	133
TGT/6/12-1000-6/-2,2/0,37	1000	2,2	0,37	5,6	2,1	124	145
TGT/6/12-1000-6/-3/0,55	1000	3	0,55	8	3,8	142	163
TGT/6/12-1000-6/-4/0,65	1000	4	0,65	10,4	3,1	147	168
TGT/6/12-1000-6/-5,5/1	1000	5,5	1	14,1	5,4	155	176
TGT/6/12-1000-9/-1,5/0,25	1000	1,5	0,25	4	1,5	117	138
TGT/6/12-1000-9/-2,2/0,37	1000	2,2	0,37	5,6	2,1	129	150
TGT/6/12-1000-9/-3/0,55	1000	3	0,55	8	3,8	147	168
TGT/6/12-1000-9/-4/0,65	1000	4	0,65	10,4	3,1	152	173
TGT/6/12-1000-9/-5,5/1	1000	5,5	1	14,1	5,4	160	181
TGT/6/12-1000-9/-7,5/1,3	1000	7,5	1,3	17,5	5,5	178	199

TECHNICAL CHARACTERISTICS - 6/12 poles (CONTINUATION)

Model	Diameter (mm)	Motor power		Full load current 400V (A)		Weight (kg)	
		HS	LS	HS	LS	Short casing	Long casing

TGT/6/12-1120-3/-1,5/0,25	1120	1,5	0,25	4	1,5	123	155
TGT/6/12-1120-3/-2,2/0,37	1120	2,2	0,37	5,6	2,1	135	167
TGT/6/12-1120-3/-3/0,55	1120	3	0,55	8	3,8	153	185
TGT/6/12-1120-3/-4/0,65	1120	4	0,65	10,4	3,1	158	190
TGT/6/12-1120-3/-5,5/1	1120	5,5	1	14,1	5,4	166	198

TGT/6/12-1120-6/-2,2/0,37	1120	2,2	0,37	5,6	2,1	140	172
TGT/6/12-1120-6/-4/0,55	1120	3	0,55	8	3,8	158	190
TGT/6/12-1120-6/-4/0,65	1120	4	0,65	10,4	3,1	163	195
TGT/6/12-1120-6/-5,5/1	1120	5,5	1	14,1	5,4	171	203
TGT/6/12-1120-6/-7,5/1,3	1120	7,5	1,3	17,5	5,5	189	221
TGT/6/12-1120-6/-11/1,8	1120	11	1,8	26,2	8	211	243

TGT/6/12-1120-9/-3/0,55	1120	3	0,55	8	3,8	158	190
TGT/6/12-1120-9/-4/0,65	1120	4	0,65	10,4	3,1	163	195
TGT/6/12-1120-9/-5,5/1	1120	5,5	1	14,1	5,4	171	203
TGT/6/12-1120-9/-7,5/1,3	1120	7,5	1,3	17,5	5,5	189	221
TGT/6/12-1120-9/-11/1,8	1120	11	1,8	26,2	8	211	243
TGT/6/12-1120-9/-15/2,5	1120	15	2,5	33,4	10,4	249	281

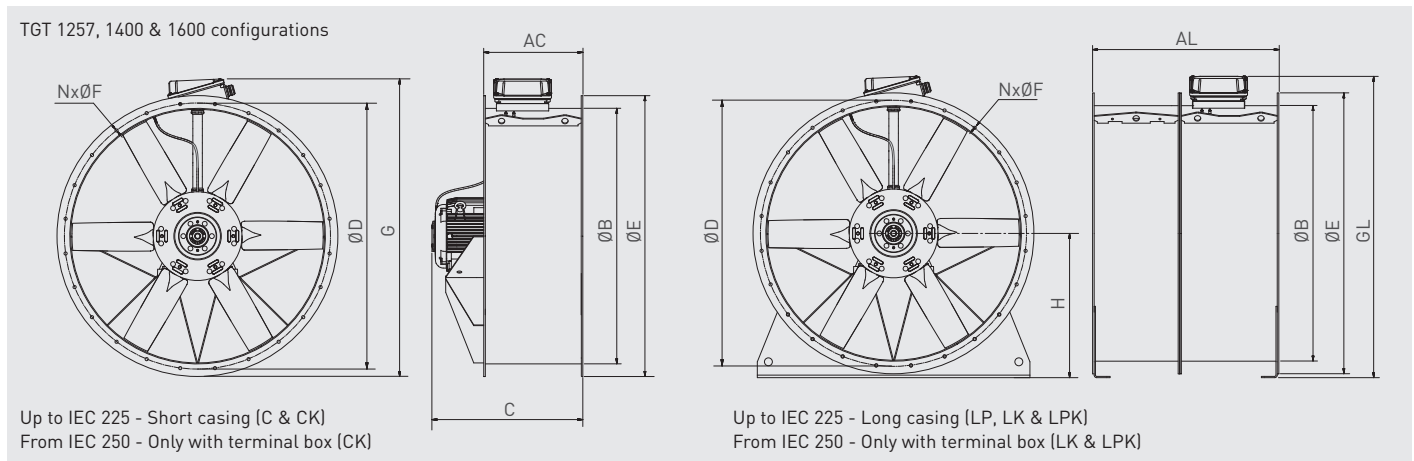
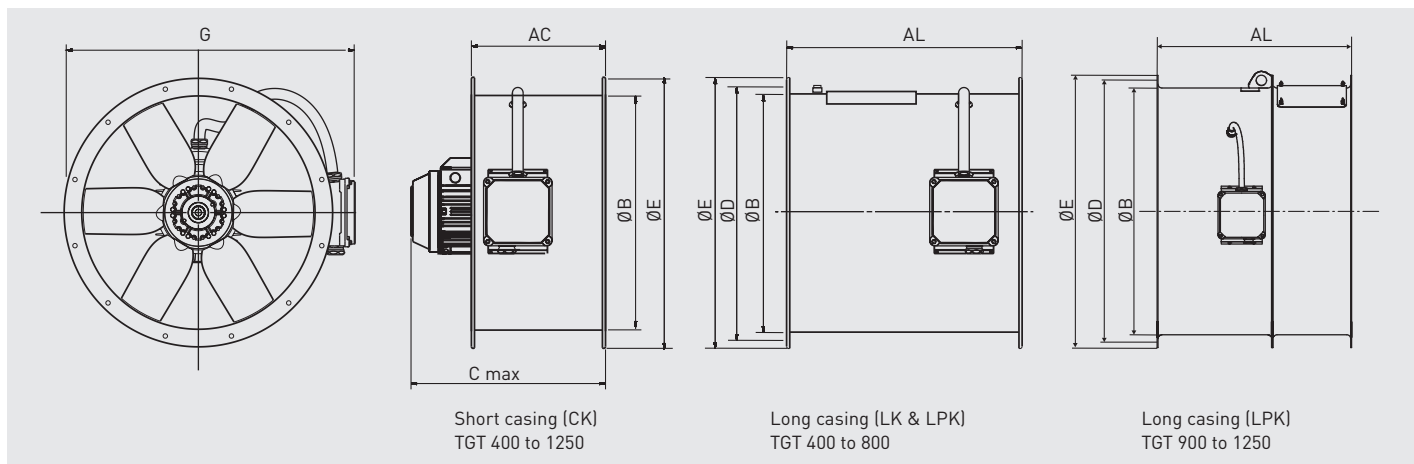
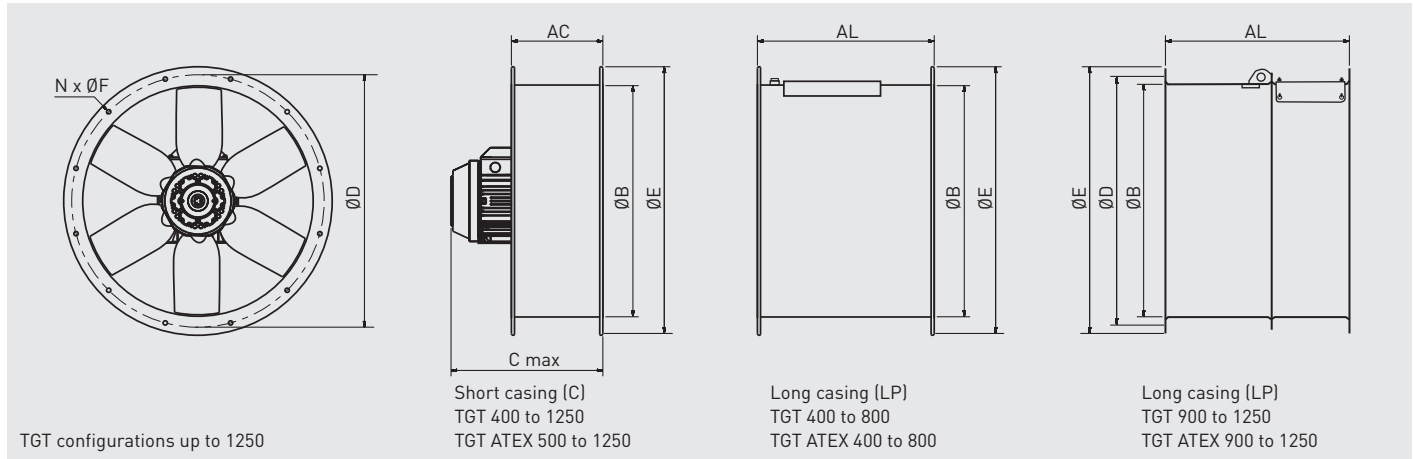
Model	Diameter (mm)	Motor power		Full load current 400V (A)		Weight (kg)	
		HS	LS	HS	LS	Short casing	Long casing

TGT/6/12-1250-3/-2,2/0,37	1250	2,2	0,37	5,6	2,1	151	193
TGT/6/12-1250-3/-3/0,55	1250	3	0,55	8	3,8	169	211
TGT/6/12-1250-3/-4/0,65	1250	4	0,65	10,4	3,1	174	216
TGT/6/12-1250-3/-5,5/1	1250	5,5	1	14,1	5,4	182	224
TGT/6/12-1250-3/-7,5/1,3	1250	7,5	1,3	17,5	5,5	200	242
TGT/6/12-1250-3/-11/1,8	1250	11	1,8	26,2	8	222	264

TGT/6/12-1250-6/-3/0,55	1250	3	0,55	8	3,8	175	217
TGT/6/12-1250-6/-4/0,65	1250	4	0,65	10,4	3,1	180	222
TGT/6/12-1250-6/-5,5/1	1250	5,5	1	14,1	5,4	188	230
TGT/6/12-1250-6/-7,5/1,3	1250	7,5	1,3	17,5	5,5	206	248
TGT/6/12-1250-6/-11/1,8	1250	11	1,8	26,2	8	228	270
TGT/6/12-1250-6/-15/2,5	1250	15	2,5	33,4	10,4	266	308

TGT/6/12-1250-9/-4/0,65	1250	4	0,65	10,4	3,1	186	228
TGT/6/12-1250-9/-5,5/1	1250	5,5	1	14,1	5,4	194	236
TGT/6/12-1250-9/-7,5/1,3	1250	7,5	1,3	17,5	5,5	212	254
TGT/6/12-1250-9/-11/1,8	1250	11	1,8	26,2	8	234	276
TGT/6/12-1250-9/-15/2,5	1250	15	2,5	33,4	10,4	272	314
TGT/6/12-1250-9/-18,5/3	1250	18,5	3	38,2	11,5	331	373
TGT/6/12-1250-9/-25/4,5	1250	25	4,5	52,2	16,6	361	403

DIMENSIONS (mm)



Model	AC	AL	B	C	D	E	F	G	GL	H	N
400	250	380	400	402	450	487	12	558	-	-	8
450	250	480	450	457	500	537	12	613	-	-	8
500	250	480	500	467	560	595	12	662	-	-	12
560	280	600	560	564	620	655	12	726	-	-	12
630	280	700	630	564	690	725	12	795	-	-	12
710	380	600	710	564	770	806	12	849	-	-	16
800	380	600	800	564	860	896	12	940	-	-	16
900	450	750	900	737	970	1005	15	1045	-	-	16
1000	450	780	1000	767	1070	1105	15	1145	-	-	16
1120	500	1150	1120	950	1190	1225	15	1268	-	-	20
1250	500	1150	1250	950	1320	1355	15	1421	-	-	20
1257	625	1175	1250	830	1320	1358	15	1505	-	-	20
1409	625	1175	1400	1130	1470	1512	15	1659	1663	781	20
1609	625	1275	1600	1250	1680	1772	20	1900	1910	910	24

\* Dimensions corresponding to the largest motor available for the range. For more detailed information depending on the working point, please refer to Easytun.

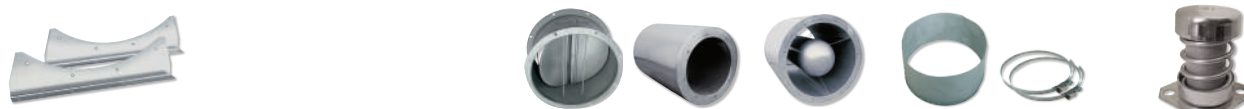


### MOUNTING ACCESSORIES

Model	Circular duct matching flange	Bellmouth protection guard	Circular flexible connector	Inlet grille guard	Outlet grille guard
400	ARO BRIDA TGT/THGT-400 N	EMB- 400T or S	ACOPEL F400-400/160 N	DEF.ASP.TGT/THGT-400 (impeller side)	DEF.DES.TGT/THGT-400 (motor side)
450	ARO BRIDA TGT/THGT-450 N	EMB- 450T or S	ACOPEL F400-450/160 N	DEF.ASP.TGT/THGT-450 (impeller side)	DEF.DES.TGT/THGT-450 (motor side)
500	ARO BRIDA TGT/THGT-500 N	EMB- 500T or S	ACOPEL F400-500/160 N	DEF.ASP.TGT/THGT-500 (impeller side)	DEF.DES.TGT/THGT-500 (motor side)
560	ARO BRIDA TGT/THGT-560 N	EMB- 560T or S	ACOPEL F400-560/160 N	DEF.ASP.TGT/THGT-560 (impeller side)	DEF.DES.TGT/THGT-560 (motor side)
630	ARO BRIDA TGT/THGT-630 N	EMB- 630T or S	ACOPEL F400-630/160 N	DEF.ASP.TGT/THGT-630 (impeller side)	DEF.DES.TGT/THGT-630 (motor side)
710	ARO BRIDA TGT/THGT-710 N	EMB- 710T	ACOPEL F400-710/180 N	DEF.ASP.TGT/THGT-710 (impeller side)	DEF.DES.TGT/THGT-710 (motor side)
800	ARO BRIDA TGT/THGT-800 N	EMB- 800T	ACOPEL F400-800/180 N	DEF.ASP.TGT/THGT-800 (impeller side)	DEF.DES.TGT/THGT-800 (motor side)
900	ARO BRIDA TGT/THGT-900 N	EMB- 900T or S	ACOPEL F400-900/180 N	DEF.ASP.TGT/THGT-900 (impeller side)	DEF.DES.TGT/THGT-900 (motor side)
1000	ARO BRIDA TGT/THGT-1000 N	EMB- 1000T or S	ACOPEL F400-1000/180 N	DEF.ASP.TGT/THGT-1000 (impeller side)	DEF.DES.TGT/THGT-1000 (motor side)
1120	ARO BRIDA TGT/THGT-1120 N	EMB- 1120T or S	ACOPEL F400-1120/200 N	DEF.ASP.TGT/THGT-1120 (impeller side)	DEF.DES.TGT/THGT-1120 (lado motor)
1250	ARO BRIDA TGT/THGT-1250 N	EMB- 1250T or S	ACOPEL F400-1250/200 N	DEF.ASP.TGT/THGT-1250 (impeller side)	DEF.DES.TGT/THGT-1250 (motor side)
1400	ARO BRIDA TGT/THGT-1400 N	EMB- 1400T or S	ACOPEL F400-1400/200 N	DEF.ASP.TGT/THGT-1400 (impeller side)	DEF.DES.TGT/THGT-1400 (motor side)
1600	ARO BRIDA TGT/THGT-1600 N	EMB- 1600T or S	ACOPEL F400-1600/200 N	DEF.ASP.TGT/THGT-1600 (impeller side)	DEF.DES.TGT/THGT-1600 (motor side)

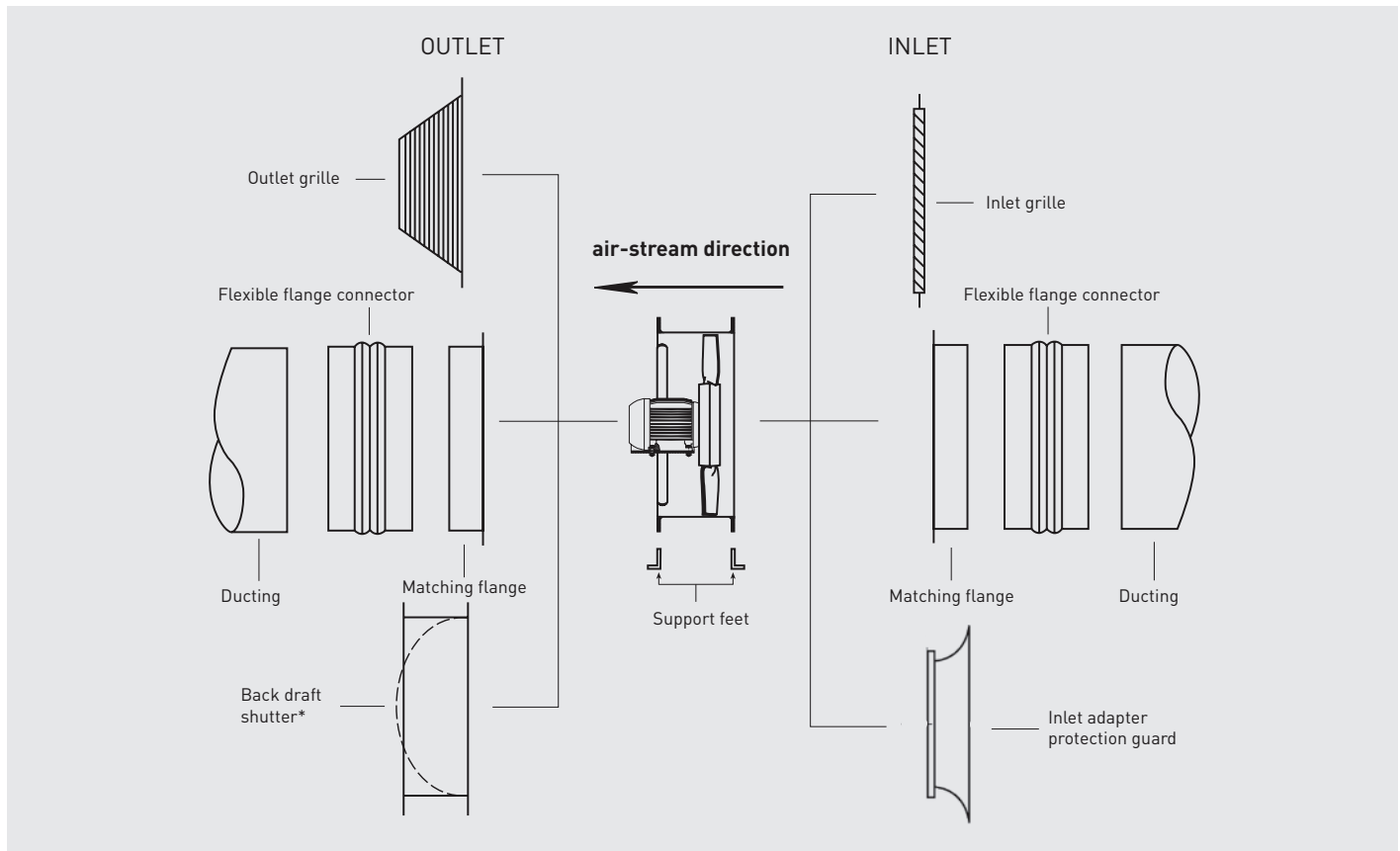


Model	Support feet (Horizontal)	Support feet (Vertical)	Back draft shutter	Circular sound attenuator	Attenuator with acoustic pod	Flexible connector ATEX	Antivibration mounts (AM)
400	PIE SOP.TGT/THGT-400	PIE SOP.TGT/THGT-400 V	CLAR-400	SIL CZ 400	SIL CZO 400	ACOPEL EX 400/ 160 N	Divide the total weight of the fan by 4, as you need 4 antivibration mounts per unit, and then look for the appropriate model according to their load. (See: Mounting accessories)
450	PIE SOP.TGT/THGT-450	PIE SOP.TGT/THGT-450 V	CLAR-450	SIL CZ 450	SIL CZO 450	ACOPEL EX 450/ 160 N	
500	PIE SOP.TGT/THGT-500	PIE SOP.TGT/THGT-500 V	CLAR-500	SIL CZ 500	SIL CZO 500	ACOPEL EX 500/ 160 N	
560	PIE SOP.TGT/THGT-560	PIE SOP.TGT/THGT-560 V	CLAR 560	SIL CZ 560	SIL CZO 560	ACOPEL EX 560/ 160 N	
630	PIE SOP.TGT/THGT-630	PIE SOP.TGT/THGT-630 V	CLAR 630	SIL CZ 630	SIL CZO 630	ACOPEL EX 630/ 160 N	
710	PIE SOP.TGT/THGT-710	PIE SOP.TGT/THGT-710 V	CLAR 710	SIL CZ 710	SIL CZO 710	ACOPEL EX 710/ 180 N	
800	PIE SOP.TGT/THGT-800	PIE SOP.TGT/THGT-800 V	CLAR 800	SIL CZ 800	SIL CZO 800	ACOPEL EX 800/ 180 N	
900	PIE SOP.TGT/THGT-900	PIE SOP.TGT/THGT -900 V	CLAR 900	SIL CZ 900	SIL CZO 900	ACOPEL EX 900/ 180 N	
1000	PIE SOP.TGT/THGT-1000	PIE SOP.TGT/THGT-1000 V	CLAR 1000	SIL CZ 1000	SIL CZO 1000	ACOPEL EX 1000/ 180 N	
1120	PIE SOP. TGT/THGT-1120	PIE SOP. TGT/THGT-1120 V	CLAR 1120	SIL CZ 1120	SIL CZO 1120	ACOPEL EX 1120/ 200 N	
1250	PIE SOP.TGT/THGT-1250	PIE SOP.TGT/THGT-1250 V	CLAR 1250	SIL CZ 1250	SIL CZO 1250	ACOPEL EX 1250/ 200 N	
1400	PIE SOP.TGT/THGT-1400	PIE SOP.TGT/THGT-1400 V	CLAR 1400	SIL CZ 1400	SIL CZO 1400	ACOPEL EX 1400/ 200 N	
1600	PIE SOP.TGT/THGT-1600	PIE SOP.TGT/THGT-1600 V	CLAR 1600	SIL CZ 1600	SIL CZO 1600	ACOPEL EX 1600/ 200 N	



See complete information on the Mounting Accessories.

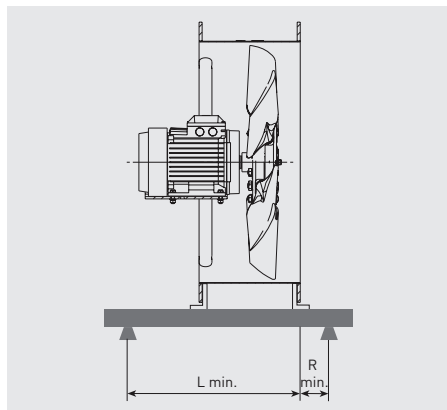
INSTALLATION OF THE MOUNTING ACCESSORIES



See complete information on the Mounting Accessories.

\* For long casing version.

FITTING ANTI-VIBRATION MOUNTS IN THE SHORT CASING MODELS



When fitting anti-vibration mountings, short casing models, it is recommended they are fitted to a suitable support frame (not supplied by S&P) following the minimum distances as specified in the table.

Model TGT	L min.	R min.	Total
400	370	60	430
450	430	70	500
500	440	70	510
560	550	80	630
630	550	80	630
710	550	80	630
800	550	90	640
900	750	100	850
1000	750	100	850
1120	900	100	1000
1250	900	100	1000
1400	1230	100	1330
1600	1350	100	1450